



SCRW15 (Frameless Canopy and Rear Sliding Door options)

STANDARD FEATURES

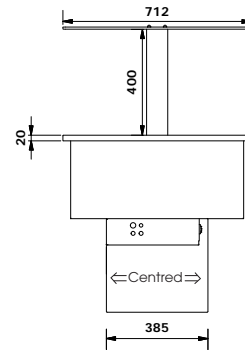
- › Fan assisted cold air blanket across top of well
- › Stainless steel well
- › Raised well (**RW**) to allow displayed food to sit higher
- › **DuraCoat** system providing a protective coating over the refrigeration coil to prevent food acid corrosion
- › Refrigeration unit provided as Integral (condenser in cradle)
- › Designed to operate at 3-5°C in room environments up to 22°C
- › For open canopies there should be no air movement across the open well
- › Elegant stainless steel gantry
- › Planar glass canopy as standard
- › Designer overhead **SlimLED** lighting system with 12V safety
- › Defrost drainage to container or plumbed to waste

For Sneeze-Guard and glass canopy options refer to page 58

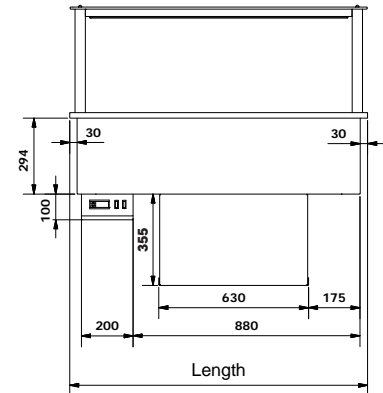
For Factory Options refer to page 60

For Cabinet Accessories refer to page 66

SIDE VIEW



REAR VIEW



SOMERSET RW: CHILLED AIR CURTAIN

This stylish air curtain cabinet is ideal for display of gourmet and patisserie foods. Installed within compatible joinery it brings class to your food offering.

4°C operating temperature

Model	SCRW12	SCRW15	SCRW18	SCRW21
Length	1155mm	1480mm	1805mm	2130mm
Depth*	712mm	712mm	712mm	712mm
Internal Well Height	75mm	75mm	75mm	75mm
Canopy Height Above Counter*	430mm	430mm	430mm	430mm
Power Connection	10A Plug	10A Plug	10A Plug	10A Plug

**For Planar canopy option*