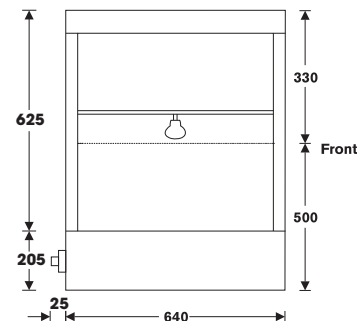


DB11

**STANDARD FEATURES**

- › **GlassMax** minimalist canopy (more glass/less frame) that maximises the visibility of displayed food from all angles
- › Stainless steel top
- › Open at rear (no doors)
- › Internal chrome wire shelf for holding plates
- › **DoubleJacket** long life halogen heat lamps mounted under shelf
- › Gastronorm pans not supplied with unit
- › Fixed front glass
- › Thermostatically controlled to operate at a temperature up to 100°C
- › Drain with faucet built in
- › Can be operated wet or dry

**SIDE VIEW**



For Factory Options refer to page 60

For Cabinet Accessories refer to page 66

# DEVON: BAIN MARIE

An elegant looking Bain Marie cabinet that enhances the presentation of food. Looks great in any environment.

*Up to 100°C operating temperature*

| Model                    | DB7      | DB11     | DB14     | DB17     | DB20         |
|--------------------------|----------|----------|----------|----------|--------------|
| Length                   | 745mm    | 1070mm   | 1395mm   | 1720mm   | 2045mm       |
| Depth*                   | 640mm    | 640mm    | 640mm    | 640mm    | 640mm        |
| Height                   | 830mm    | 830mm    | 830mm    | 830mm    | 830mm        |
| No. of Gastro 1/1 Pans** | 2        | 3        | 4        | 5        | 6            |
| Power Connection         | 10A Plug | 15A Plug | 15A Plug | 20A Plug | Fixed Wiring |

*\*Add extra 30mm for protruding control panel, switches and cable exit*  
*\*\*Up to 100mm deep. (Gastronorm pans not supplied)*